

Block Dimensions

Vintage

General Information

Absorption...Meets or exceeds ASTM C90-75 standards
 Compressive strength...3000 PSI Approximate minimum (unless otherwise specified)
 Composition . . . High strength, high density, "0" slump concrete

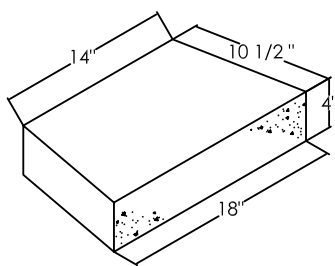
Unit Information

Vintage Units:
 4" Block Small 4" H x 9" W x 10.5" D, 22 lbs. Approx.25 sq. ft. face
 4" Block Large 4" H x 18" W x 10.5" D, 39 lbs. Approx.50 sq. ft. face
 8" Block Small 8" H x 9" W x 10.5" D, 45 lbs. Approx.50 sq. ft. face
 8" Block Large 8" H x 18" W x 10.5" D, 82 lbs. Approx.1.00 sq. ft. face
 8" Corner Block 8" H x 18" W x 9" D, 82 lbs. Approx.1.00 sq. ft. face
 4" Corner Block 4" H x 18" W x 9" D, 39 lbs. Approx.50 sq. ft. face

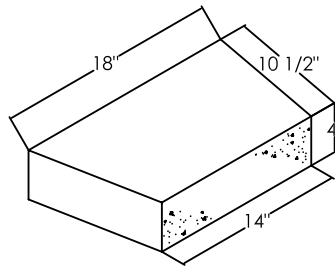
Universal Cap
 4" H X 18" W Front and 4" H X 14" W Back, 54 Lbs. Approx.
 0.50 Sq. Ft. Front, 0.39 Sq. Ft. Back
 Average running length is 16' (see installation manual)

Face Options

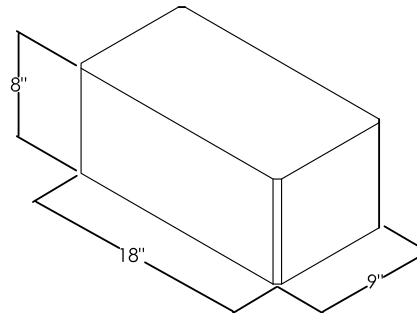
Face options. Straight split face
 Tumbled
 Rustic



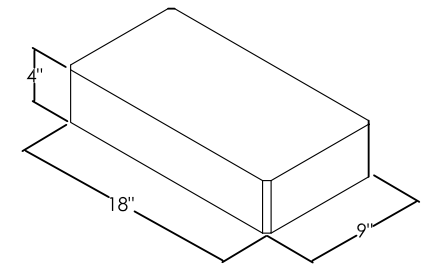
Universal Cap - front



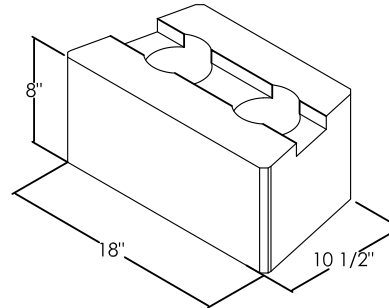
Universal Cap - Back



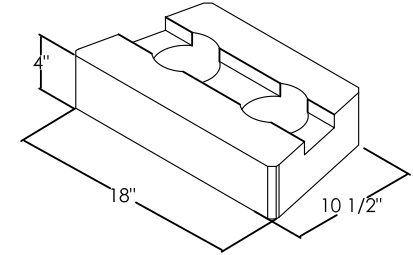
8" Corner Block



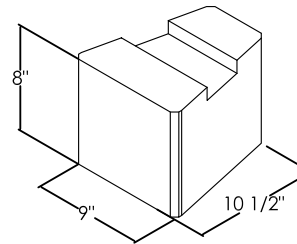
4" Corner Block



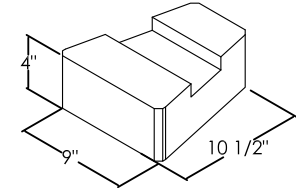
8" Block Large



4" Block Large



8" Block Small

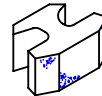


4" Block Small

This drawing is furnished for preliminary design purposes only, and should not be used for final design drawings or construction drawings without the certification of a professional engineer registered in the state in which the wall will be constructed

No.	Date.	Revision.	By.

Prepared by:



ROCKWOOD
 RETAINING WALLS
A better way.

Legend

Project Name:	XX
Project Location:	YY
Drawing Description:	Block Dimensions

Prepared For:	CCC DDD
Drawn By:	
Checked By:	
Sheet #	or \$
Date:	MM/DD/YYYY
Project Number:	WWWPRO#