

# Block Dimensions

## Classic™ Colonial 6

### General Information

Absorption: Meets or exceeds ASTM 1372 standards.

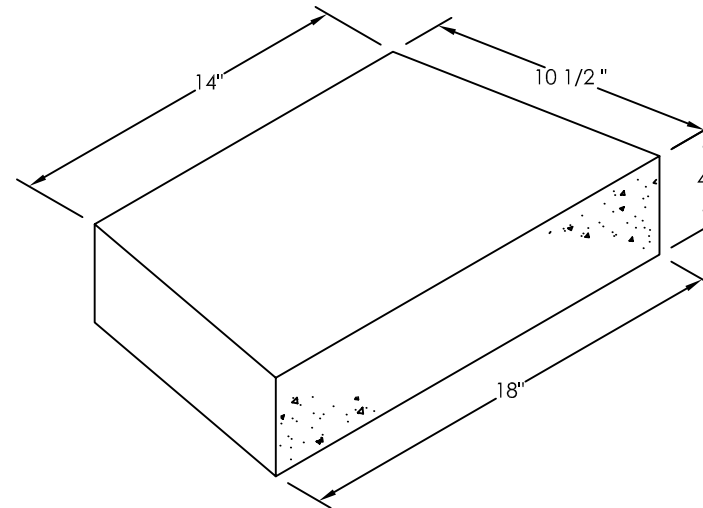
Compressive strength: ≥ 3000 PSI Approximate average minimum per ASTM 1372 (unless otherwise specified)

### Unit Information

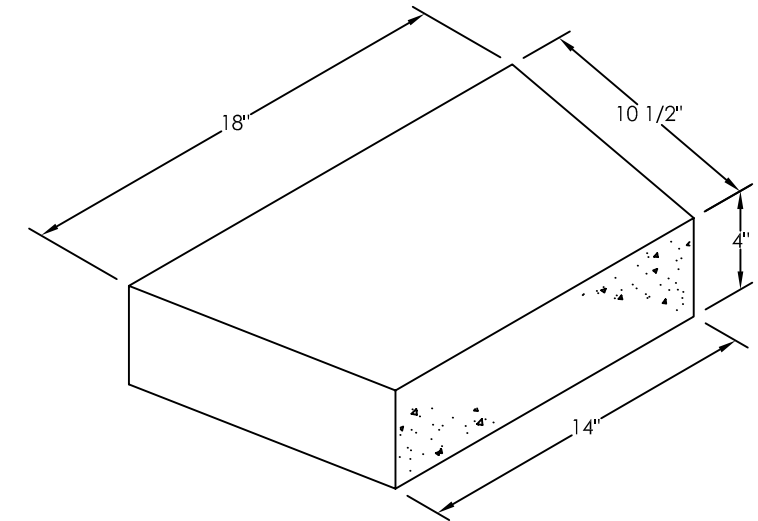
Colonial 6/12 Unit: 6" H X 12"W and 6" H X 6"W X 12"D, 64 lbs. Approx. . . . . 0.75 Sq. Ft. Face

Colonial 18 Unit: 6" H X 18"W X 12"D, 64 lbs. Approx. . . . . 0.75 Sq. Ft. Face

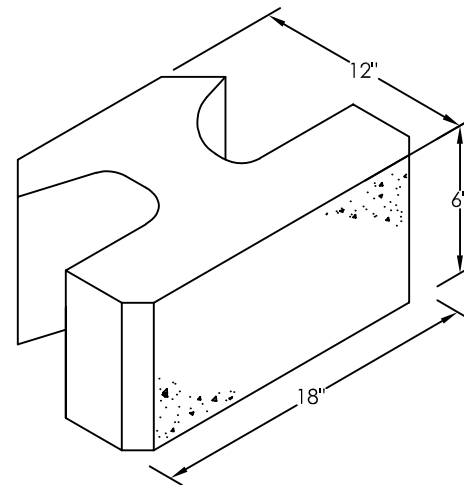
Universal Cap: 4"H X 18"W Front and 4"H X 14"W Back, 54 Lbs. Approx. average running length is 16'.



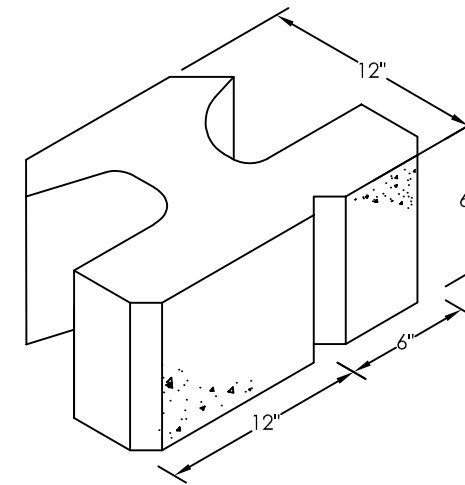
Universal Cap - front



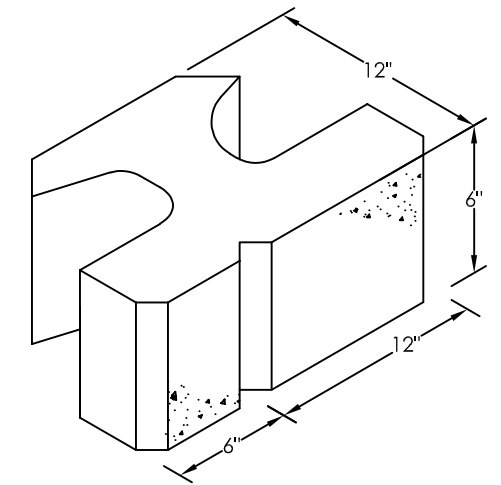
Universal Cap - Back



Classic 6 Colonial (18 Unit)



Classic 6 Colonial (12/6 Unit)



Classic 6 Colonial (6/12 Unit)

Not to Scale

This drawing is furnished for preliminary design purposes only, and should not be used for final design drawings or construction drawings without the certification of a professional engineer registered in the state in which the wall will be constructed. These drawings are "typical" and may be amended or revised by the SRW engineer based on project site conditions and purposes.

No.	Date.	Revision.	By.

PREPARED BY:

**Legend**

- Leveling Pad
- Drainage Rock
- Geogrid
- Finish Grade
- Filter Fabric
- Grid/Fabric Length (Measured from face of wall)

Project Name: \_\_\_\_\_

Project Location: \_\_\_\_\_

Drawing Description: **Classic Colonial Block Dimensions**

Prepared For: \_\_\_\_\_

Drawn By: \_\_\_\_\_

Checked By: \_\_\_\_\_

Sheet: \_\_\_\_\_

Date: \_\_\_\_\_

Project Number: \_\_\_\_\_