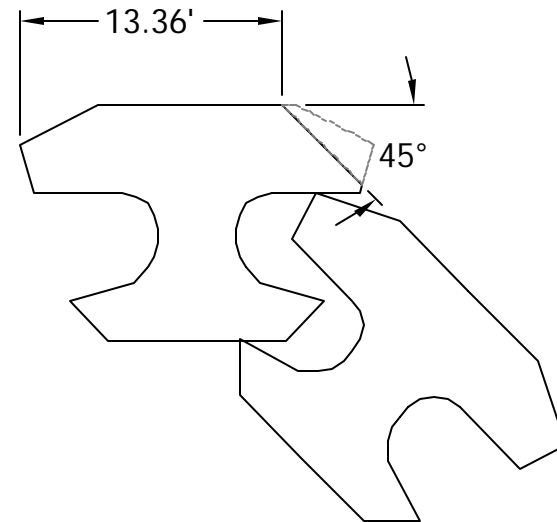
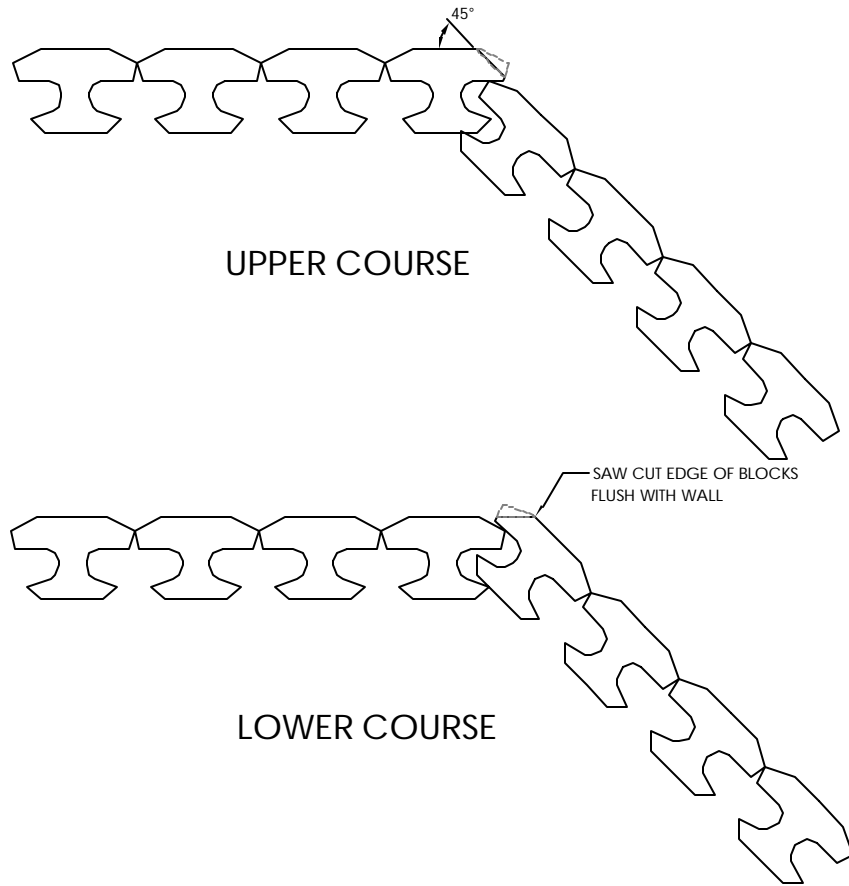


# 45° TURN DETAIL

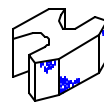
## CLASSIC 8



THIS DRAWING IS FURNISHED FOR PRELIMINARY DESIGN PURPOSES ONLY, AND SHOULD NOT BE USED FOR FINAL DESIGN DRAWINGS OR CONSTRUCTION DRAWINGS WITHOUT THE CERTIFICATION OF A PROFESSIONAL ENGINEER REGISTERED IN THE STATE IN WHICH THE WALL WILL BE CONSTRUCTED

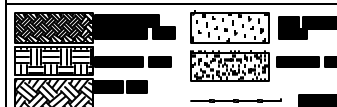
NO.	DATE	REVISION	BY.

PROPOSED BY



**ROCKWOOD**  
RETAINING WALLS  
A better way

LEGEND



XX  
YY

45° TURN DETAIL

CCC  
DDD  
# \$  
MM/DD/YYYY  
WWWPRO#