

# Block Dimensions

## Classic Colonial

### General Information

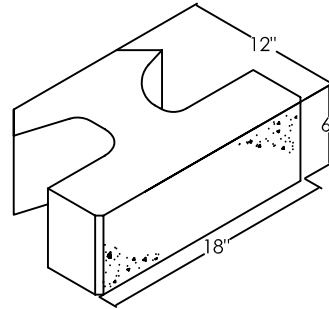
- Absorption...Meets or exceeds astm c90-75 standards
- Compressive Strength...3000 psi approximate minimum (unless otherwise specified)
- Composition ... Height strength, high density, "0" slump concrete

### Unit Information

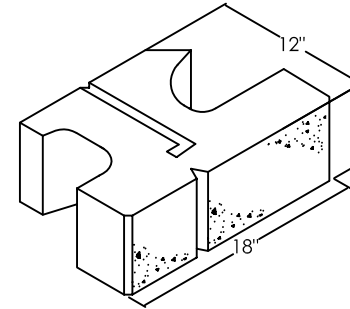
- Colonial 6/12 Unit:
  - 18" Straight Rustic Face ..... 6" h x 12" w and 6" h x 6" w, 75 lbs, approx. .... 0.75 sq. ft. face
- Colonial 18 Unit:
  - 18" Straight Rustic Face ..... 6" h x 18" w, 64 lbs, approx. .... 0.75 sq. ft. face
  - Universal Cap Straight Spill Face ..... 4" h x 18" w front and 4" h x 14" w back, 54 lbs, approx. .... 0.50 sq. ft. front, 0.39 sq. ft. back
  - ..... Average running length is 18" (see installation manual)

### Face Options

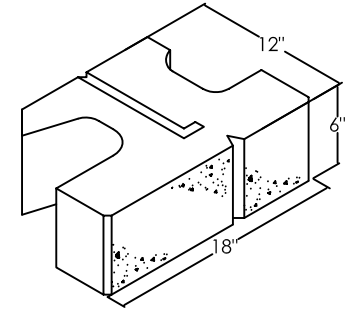
Face Patterns ..... Rustic Face



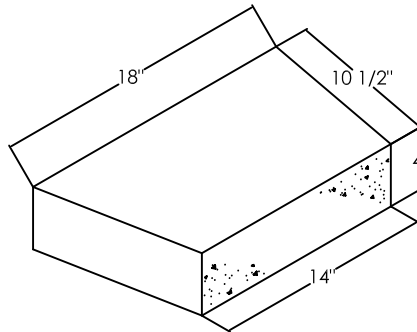
Classic Colonial 18 Unit



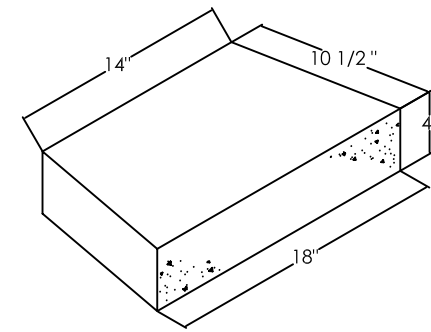
Classic Colonial 6/12 Unit



Classic Colonial 12/6 Unit



Classic Universal Cap - Back



Classic Universal Cap - Front

This drawing is furnished for preliminary design purposes only, and should not be used for final design drawings or construction drawings without the certification of a professional engineer registered in the state in which the wall will be constructed

No.	Date.	Revision.	By.

PREPARED BY:



**ROCKWOOD**  
RETAINING WALLS  
*A better way*

#### Legend

	Impermeable Compacted Fill		3/4" Crushed Stone
	Native Soil		Levelling Pad
	Geogrid		

Project Name:	XX
Project Location:	YY
Drawing Description:	Block Dimensions

Prepared For:	CCC DDD
Drawn By:	
Checked By:	
Sheet # of \$	
Date: MM/DD/YYYY	
Project Number: WWWPRO#	