

Block Dimensions

Classic™ 6

General Information

Absorption: Meets or exceeds ASTM 1372 standards.

Compressive strength: ≥ 3000 PSI Approximate average minimum per ASTM 1372 (unless otherwise specified)

Unit Information

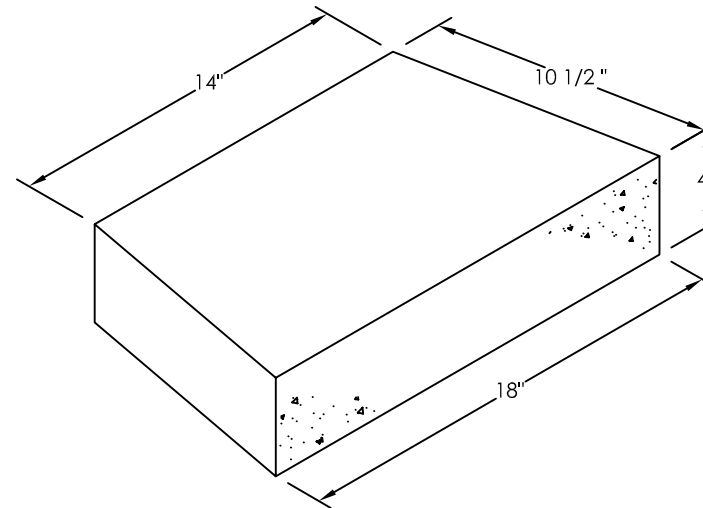
Beveled Classic Unit: 6"H X 18"W X 12"D, 60 Lbs. Approx. 0.75 Sq. Ft. Face

Straight Classic Unit: 6"H X 18"W X 12"D, 64 Lbs. Approx. 0.75 Sq. Ft. Face

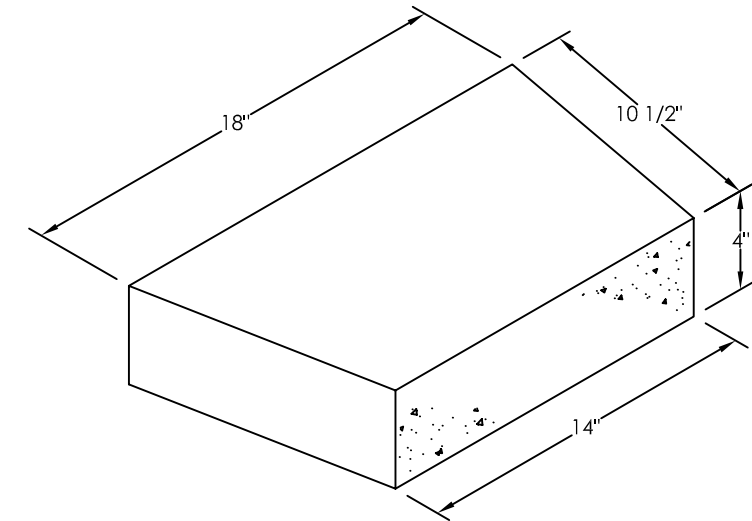
Universal Cap: 4"H X 18"W Front and 4"H X 14"W Back, 54 Lbs. Approx. average running length is 16".

Face Options

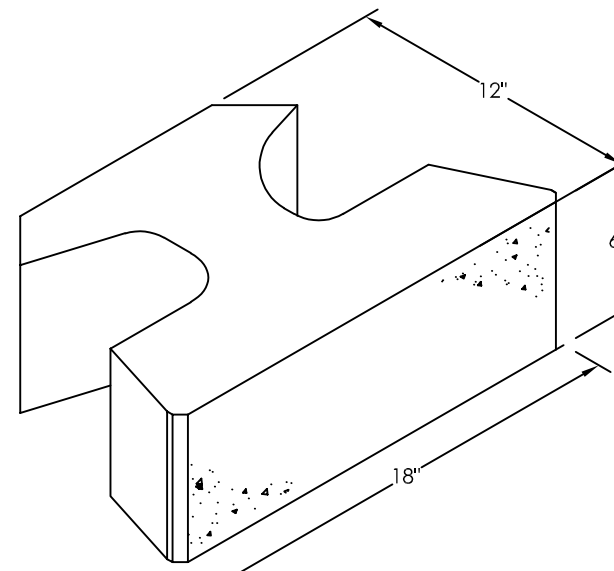
- Face patterns: Beveled Split Face
 Straight Split Face
 Colonial (available in certain markets)



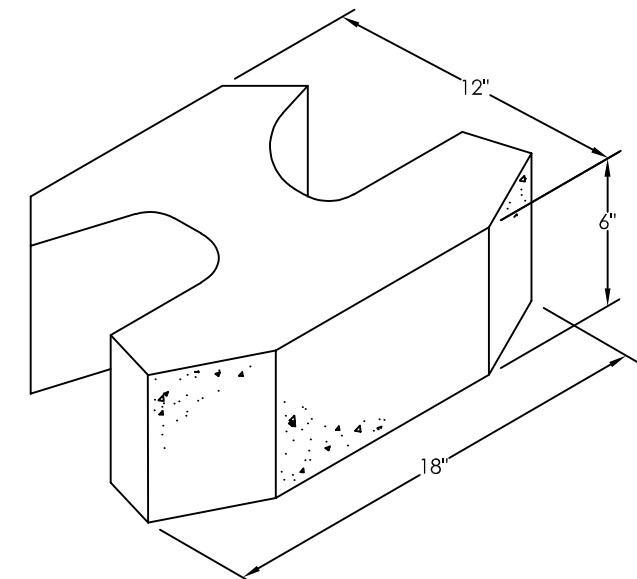
Universal Cap - front



Universal Cap - Back



Classic 6 Unit (Straight)



Classic 6 Unit (Beveled)

Not to Scale

This drawing is furnished for preliminary design purposes only, and should not be used for final design drawings or construction drawings without the certification of a professional engineer registered in the state in which the wall will be constructed. These drawings are "typical" and may be amended or revised by the SRW engineer based on project site conditions and purposes.

No.	Date.	Revision.	By.

PREPARED BY:

Legend

- Leveling Pad
- Drainage Rock
- Geogrid
- Finish Grade
- Filter Fabric
- Grid/Fabric Length (Measured from face of wall)

Project Name: _____
 Project Location: _____
 Drawing Description: **Classic 6 Block Dimensions**

Prepared For: _____
 Drawn By: _____
 Checked By: _____
 Sheet: _____
 Date: _____
 Project Number: _____